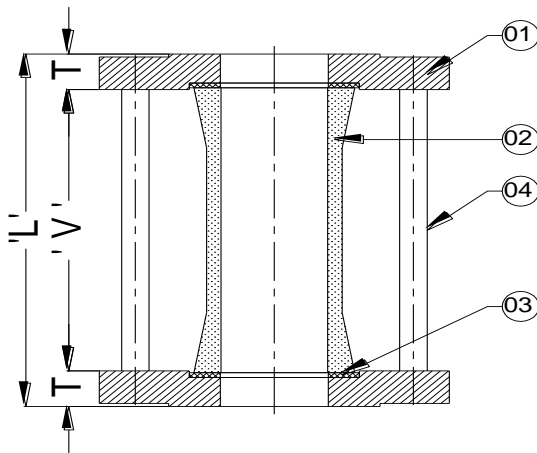


It provides full view of liquid, flowing through vertical pipelines. However it can also be used between horizontal pipelines provided no mechanical strain is imposed on the gauge.



✓ **Salient Features & Options:-**

- Design & Testing As Per Mfg. Standard.
- End Connections as per ANSI B16.5 150 # Std.
- Pressure Test Certificate & Material Test Certificates furnished on request.

✓ **Construction :-**

It consists of a heavy walled, tempered borosilicate glass with flared ends, held between two process flanges through tie -rod with packing to provide leak proof joint.

Material /Specification		
Sr.No	Description	Material
1	Process Flange	PP, CS, SS304, SS316
2	Glass	Toughened Glass
3	Packing	PTFE / Silicon
4	Stud / Bolt	CS, SS304, SS316
5	Max. Temperature	70 C (PP), 150 C (CS/SS)
6	Max Hydro pressure	3 kg/cm ²

Detail Of Dimension						
CLASS-150#						
SIZE	DN25 (mm)	DN40 (mm)	DN50 (mm)	DN65 (mm)	DN80 (mm)	DN100 (mm)
OD	107.9	127	152.4	177.8	190.5	228.6
THK. 'T'	14.2	17.4	18	18	18	18
RF	50.8	73	92	104.7	127	157.1
PCD	79.3	98.4	120.6	139.7	152.4	190.5
HOLE DIA.	15.8	15.8	19	19	19	19
NO. OF HOLE	4	4	4	4	4	8
VISIBILITY 'V'	145	140	140	140	140	140
TOTAL LENGTH 'L'	175	175	175	175	175	175